

## Table of contents

---

	Page
Safety notes/ Technical support	2
-----	
Introduction	3
-----	
Function	4
-----	
Technical data	6
-----	
Approvals	14
-----	
Options	15
-----	
Mounting	16
-----	
Electrical installation	20
-----	
Signal and alarm output	25
-----	
Setting/ Sensitivity	28
-----	
Maintenance	29
-----	
Notes for use in Hazardous Locations	30
-----	
Disposal	32

Subject to technical change  
 All dimensions in mm (inches).

We assume no liability for typing errors.  
 Different variations than specified are possible.  
 Please contact our technical consultants.

## Safety notes / Technical support

---

### Notes

- Installation, maintenance and commissioning may be accomplished only by qualified technical personnel.
- The product must be used only in the manner outlined in this instruction manual.

Special attention must be paid to warnings and notes as follows:

#### WARNING



Relates to a caution symbol on the product: A failure to observe the necessary precautions can result in death, serious injury and/or considerable material damage.

#### WARNING



Relates to a caution symbol on the product: Risk of electric shock

#### WARNING






A failure to observe the necessary precautions can result in death, serious injury and/or considerable material damage.

This symbol is used, when there is no corresponding caution symbol on the product.

#### CAUTION

A failure to observe the necessary precautions can result in considerable material damage.

### Safety symbols

In manual and on product	Description
	CAUTION: refer to accompanying documents (manual) for details.
	Earth (ground) Terminal
	Protective Conductor Terminal

### Technical support

Please contact your local supplier (for address see [www.uwt.de](http://www.uwt.de)). Otherwise you can contact:

UWT GmbH  
 Westendstr. 5  
 D-87488 Betzigau

Tel.: 0049 (0)831 57123-0  
 Fax: 0049 (0)831 76879  
[info@uwt.de](mailto:info@uwt.de)  
[www.uwt.de](http://www.uwt.de)

## Introduction

### Applications

The ROTONIVO is an electromechanical Level limit switch and is used for level monitoring of bulk goods.

The units can be delivered with a wide range of Ex-approvals for use in Hazardous Areas.

They can be equipped for process over- and lowpressure and also for very high or low process temperatures.

Selected applications:

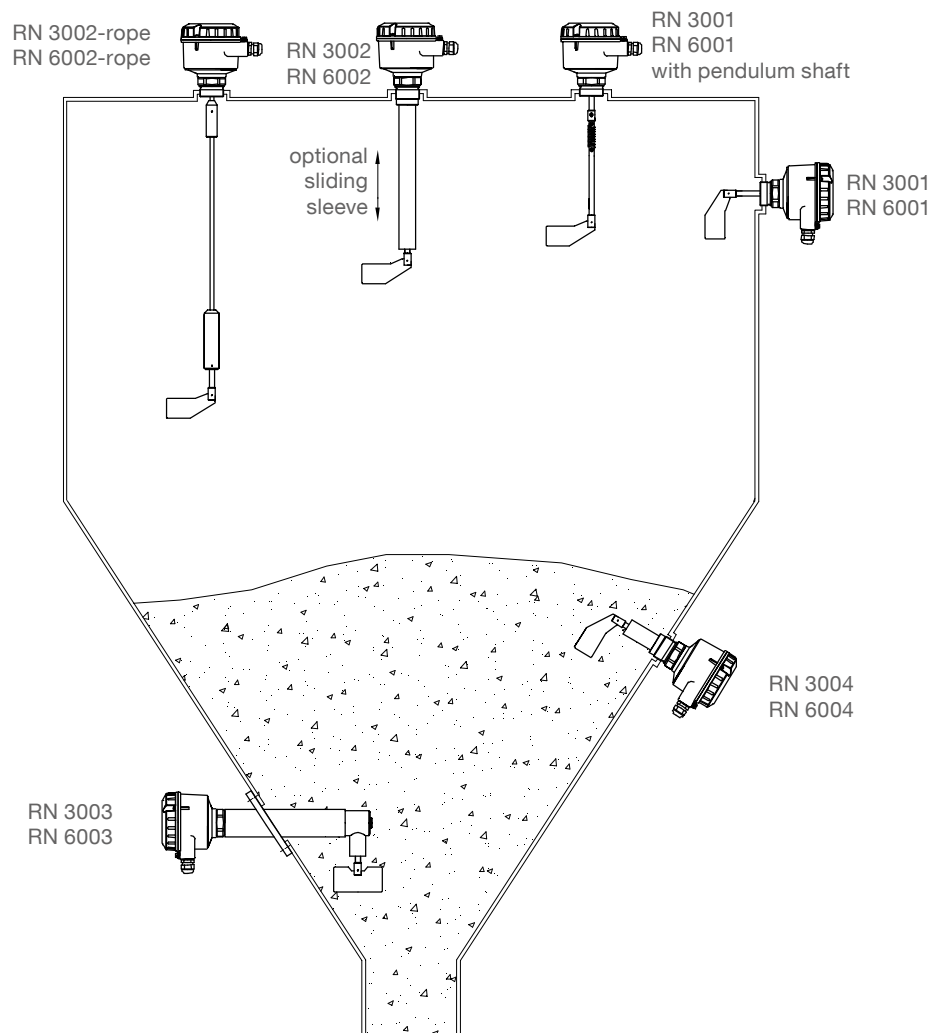
- **building materials industry**  
lime, styrofoam, moulding sand, etc.
- **food industry**  
milk powder, flour, salt, etc.
- **plastics industry**  
plastics granules etc.
- **timber industry**
- **chemical industry**
- **mechanical engineering**

The ROTONIVO is normally screwed into the lateral container wall so that it is in level with the filling height to be registered and monitored.

The device can also be mounted from the top of the container. In this case an extension piece is used to mount the probe level with the height to be registered.

The length of the probe can be up to 4 m (158") with an extension tube or up to 10 m (394") with an extension rope.

The use of a sliding sleeve for the version RN 3002/ RN 6002 is recommended so that the switch point can be changed easily during operation of the device.



## Function

A measuring vane is driven by a synchronous motor. The bearing of the motor inside the housing allows it to swing. The motor is fixed to a switching lug.

If the vane is uncovered, a spring pulls the motor and switching lug to the left position (figure 1).

When material covers the vane and thus stops the rotation, the motor and switching lug swings to the right position (figure 2). The signal output indicates "covered" and the motor is stopped.

When the vane becomes uncovered due to falling material, the spring pulls the motor and switching lug back to the left position (figure 1). The motor is started and the signal output indicates "uncovered".

### Fail safe alarm

With the option fail safe alarm it is possible to recognize a fault of the unit in time and to initiate an alarm relay. The following faults are observed:

- Motor
- Gear
- Electronic for motor power supply
- Supply voltage failure
- Defect of the connecting wires

### Functional safety SIL2 (IEC 61508)

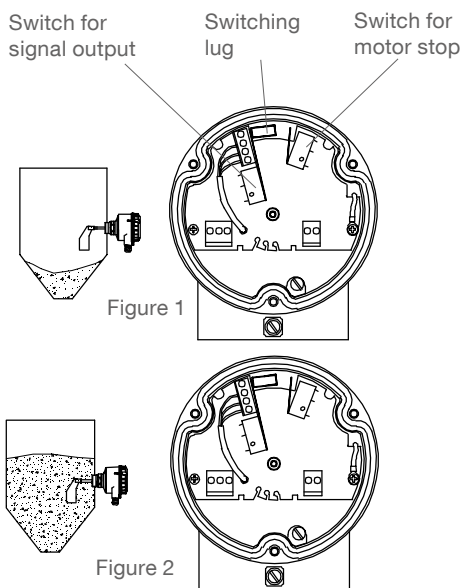
With option Functional safety the unit observes the motor, gear and electronic. The result of this diagnostics is present on the signal output, which states the full/ empty condition.

### Switchable signal output (Fail safe high/ low)

With version "Universal voltage", "PNP" and optional "AC" a switchable signal output FSH/ FSL is integrated.

### Signal output delay:

The version "Universal voltage" and "PNP" has an integrated adjustable delay for the signal output.



## Selection guide

	RN 3001 RN 6001	RN 3001 RN 6001 pendulum shaft	RN 3002 RN 6002	RN 3002-ropes RN 6002-ropes	RN 3003 RN 6003	RN 3004 RN 6004
Full detector	x	x*	x	x	x	x
Demand detector	x			x*	x	x
Empty detector	x			x*	x	x
Vertical mounting	x	x	x	x*		x
Oblique from the top	x		x**			x
Horizontal mounting	x				x	x
Oblique from the bottom	x					x

\* consider max. permitted mech. traction force

\*\* only with option "bearing at tube end"

## Function

### Shaft sealing and metal material

Application	Sealing material <sup>(1)</sup>			Metal		Bearing
	NBR	FPM (Viton)	PTFE (Teflon)	Aluminium	Stainless steel <sup>(2)</sup> 1.4301/ SS 304	Stainless steel
Animal feed press			x		x	<b>x</b>
Synthetic granules, powders	x			x		
Salt			x		x	<b>x</b>
Dust filter (temp. up to 392°F)			x		x	
Dust filter (temp. up to 302°F)		x			x	
Bitumen			x		x	
Cement	x			x		
Wood chip dryer			x		x	
Pressure conveying vessel, 8 bar			x		x	
Sugar	x			x		
Flour	x			x		
Carbon black	x			x		

<sup>(1)</sup> Delivered in version with process temperature and process pressure as following (see also option pos.17):

NBR: max. 80°C and max. 0.8 bar  
 FPM (Viton): max. 150°C and max. 0.8 bar  
 PTFE (Teflon): max. 250°C and max. 0.8 bar  
 max. 80°C/ 150°C/ 250°C and max. 5 bar/ 10 bar

<sup>(2)</sup> In particular cases 1.4404 (SS316L) is recommended

### Electronic

RN 3000							
Power supply		Output signal					
		SPDT <sup>(1)</sup>	DPDT	PNP	FSH/ FSL <sup>(2)</sup>	Adjustable delay	Fail safe alarm
AC version	24 V or 48 V or 115 V or 230 V AC	•	-	-	-	-	-
DC version	24 V DC	•	-	-	-	-	-
DC version	24 V DC PNP	-	-	•	•	•	-
Universal voltage	24 V DC/ 22 .. 230 V AC	•	-	-	•	•	option
RN 6000							
Power supply		Output signal					
		SPST	SPDT <sup>(1)</sup>	DPDT	PNP	FSH/ FSL <sup>(2)</sup>	Adjustable delay
AC version	24 V or 48 V or 115 V or 230 V AC	-	•	-	-	-	-
DC version	24 V DC	-	•	-	-	-	-
Universal voltage	24 V DC/ 22 .. 230 V AC	-	-	• <sup>(3)</sup>	-	•	•
Universal voltage SIL2	24 V DC/ 22 .. 230 V AC	•	• <sup>(4)</sup>	-	-	•	-

<sup>(1)</sup> Microswitch, with Universal voltage Relais

<sup>(2)</sup> Switchable signal output (Fail safe high/ low)

<sup>(3)</sup> For Ex approval "Increased safety" (pos.2 C,R,S) not in combination with option Fail safe alarm

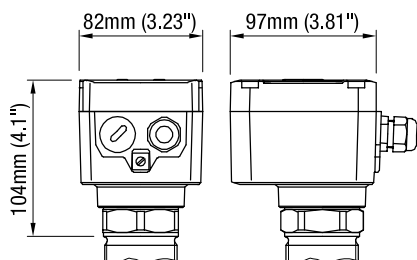
<sup>(4)</sup> Additional output, not SIL conform

## Technical Data

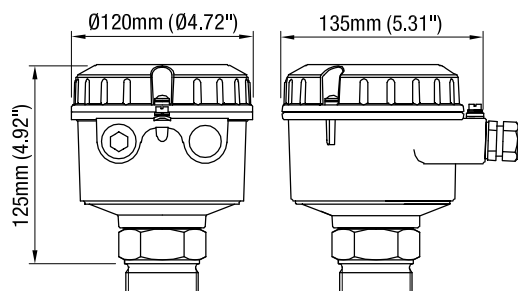
### Dimensions

#### Housing versions

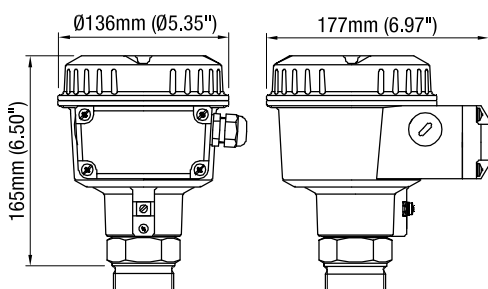
**Series RN 3000**  
Standard



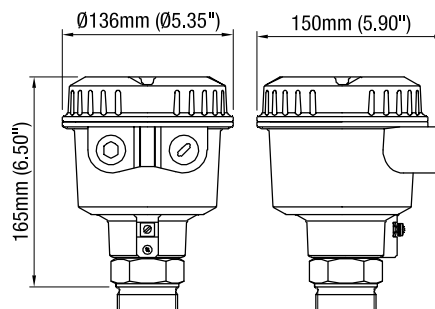
**Series RN 6000**  
Standard



**Series RN 6000**  
de explosionproof with increased  
safety terminal box



**Series RN 6000**  
d flameproof/ explosionproof



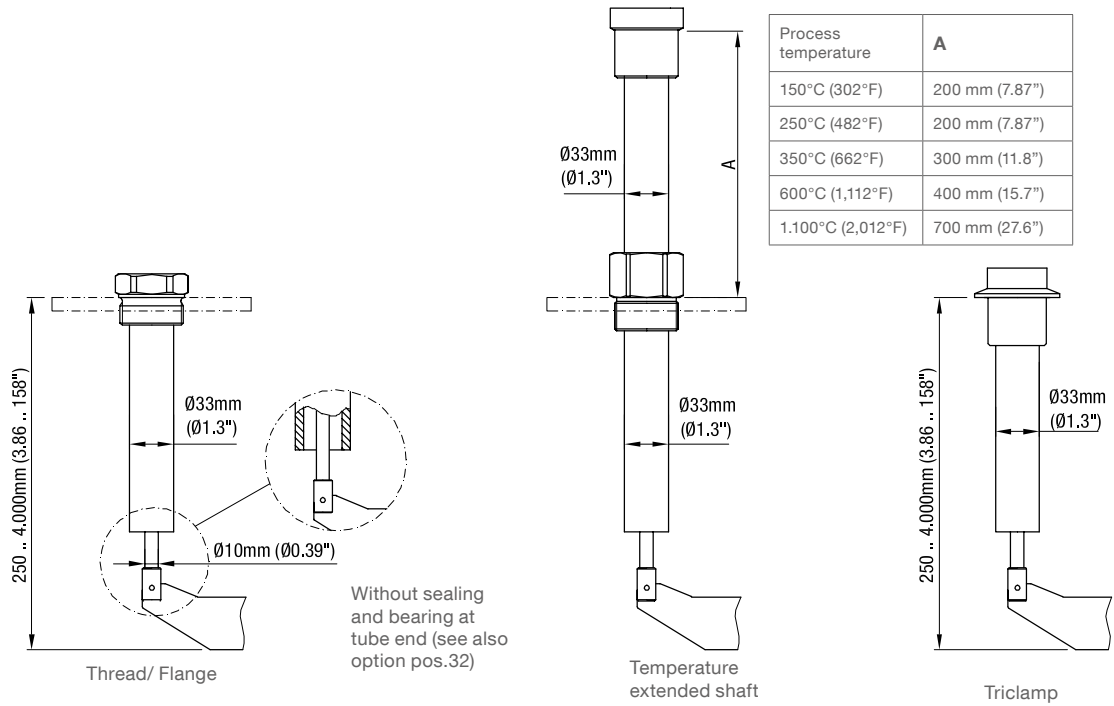
### Extensions

RN ..001

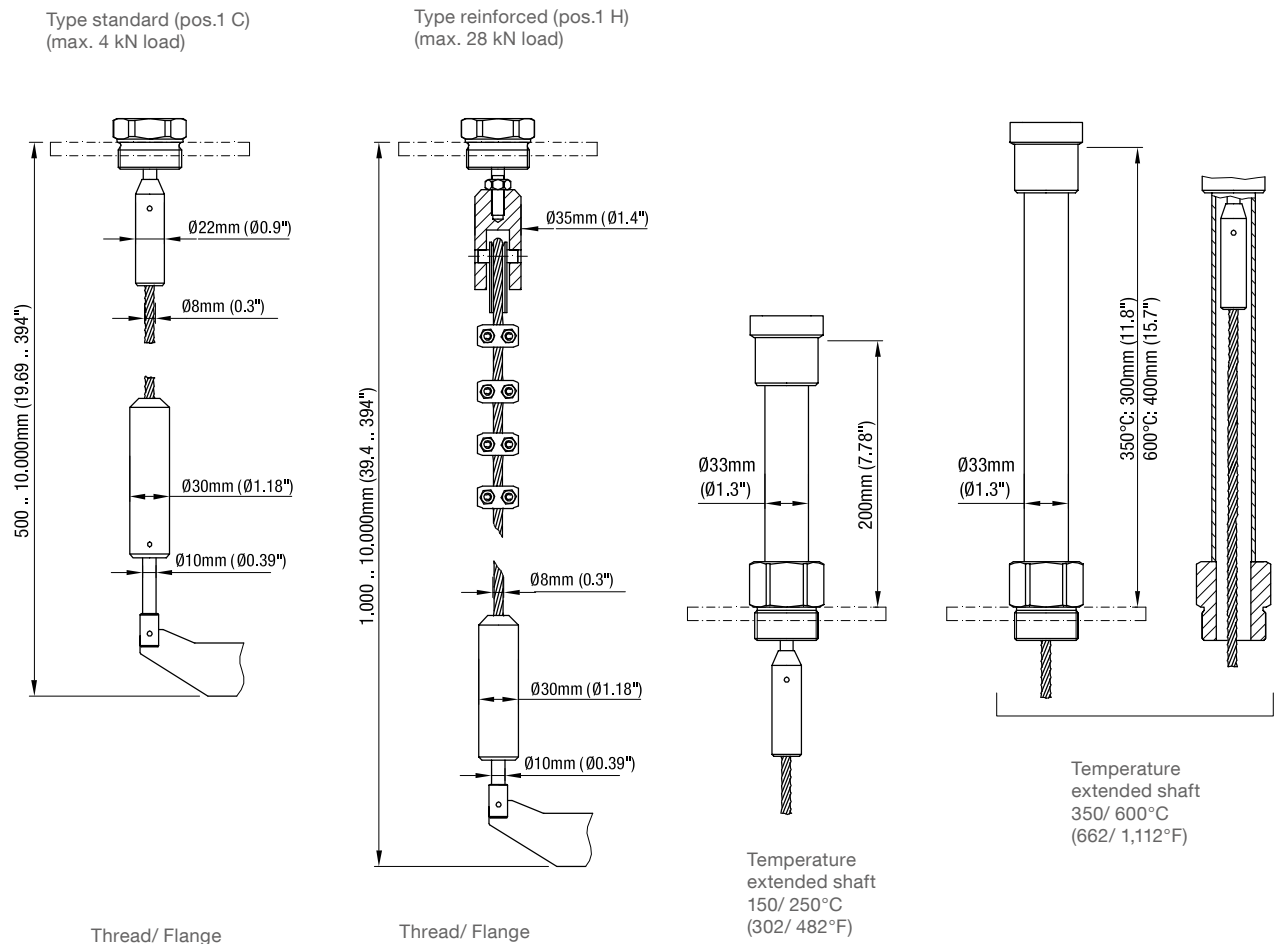
Process temperature	A
150°C (302°F)	200mm (7.87")
250°C (482°F)	200mm (7.87")
350°C (662°F)	300mm (11.8")
600°C (1112°F)	400mm (15.7")
1.100°C (2012°F)	700mm (27.6")

## Technical Data

RN ..002

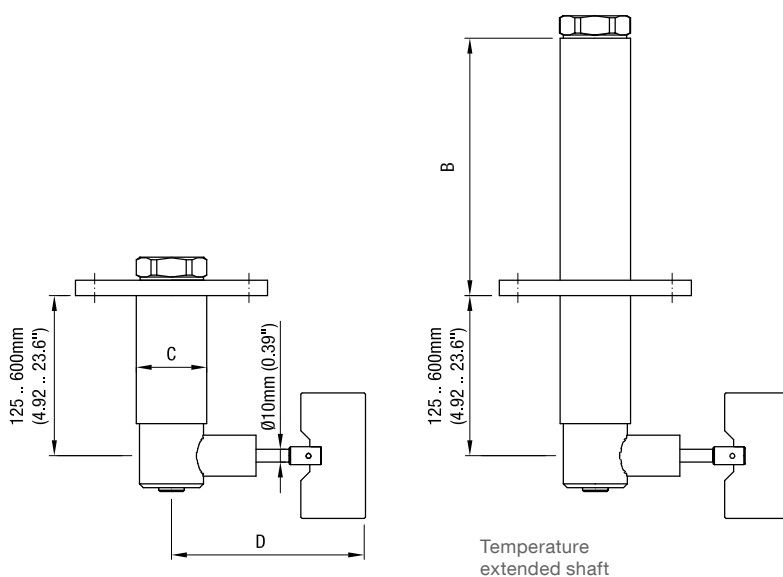


RN ..002 rope



## Technical Data

### RN ..003

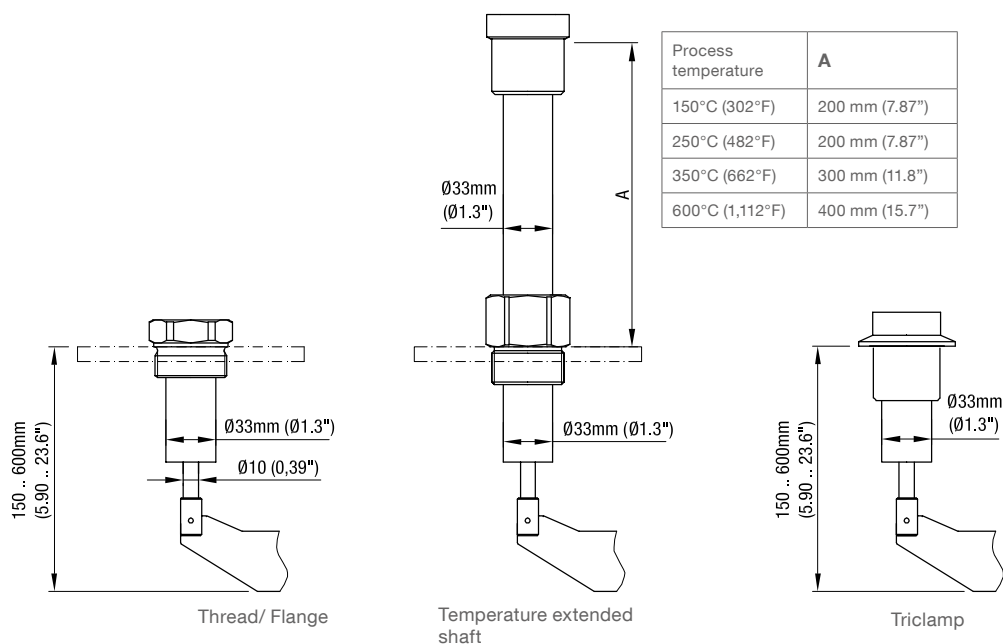


Process temperature	B
80°C (176°F) 0.8 bar (11.6 psi)	10 mm (0.39")
80°C (176°F) 5/ 10 bar (73/ 145 psi)	75 mm (2.95")
150/ 250°C (302/ 482°F) 0.8/ 5/10 bar (11.6/ 73/ 145 psi)	210 mm (8.27")

Material	C
steel	ø55 mm (ø2.17")
aluminium	ø60 mm (ø2.36")

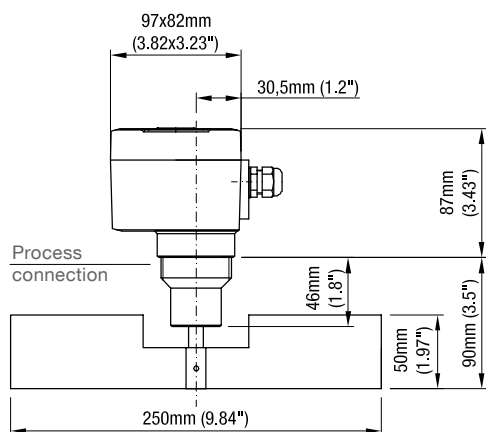
Vane	D
50 mm x .. mm (1.97" x ..")	139 mm (5.47")
98 mm x .. mm (3.86" x ..")	187 mm (7.36")

### RN ..004



Process temperature	A
150°C (302°F)	200 mm (7.87")
250°C (482°F)	200 mm (7.87")
350°C (662°F)	300 mm (11.8")
600°C (1,112°F)	400 mm (15.7")

### RN 3005



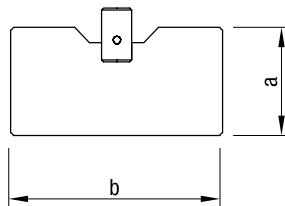


## Technical Data

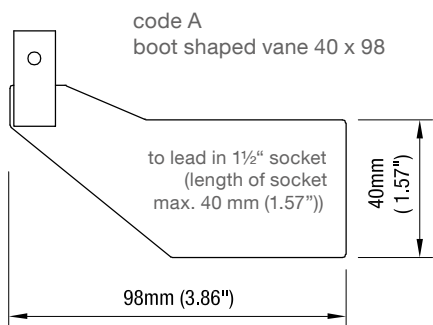
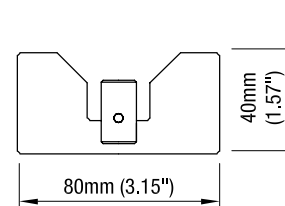
### Measuring vanes

code	type	a	b
B	rectangular	50 mm (1.97")	98 mm (3.86")
C	rectangular	50 mm (1.97")	150 mm (5.90")
E	rectangular	50 mm (1.97")	250 mm (9.84")
F	rectangular	98 mm (3.86")	98 mm (3.86")
G	rectangular	98 mm (3.86")	150 mm (5.90")
I	rectangular	98 mm (3.86")	250 mm (9.84")

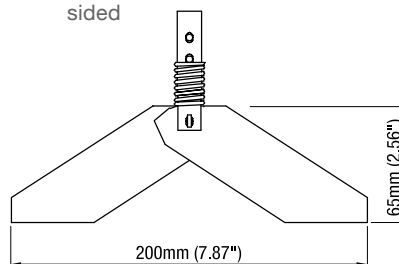
code B,C,E,F,G,I  
 rectangular vane



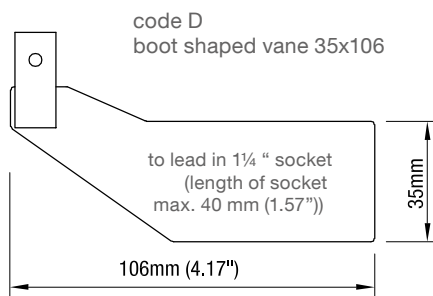
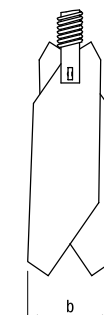
code P  
 notched 40 x 80



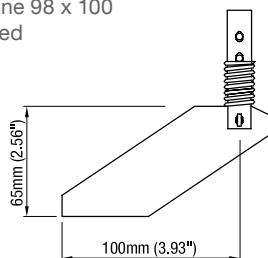
code K  
 hinged vane 98 x 200 double  
 sided



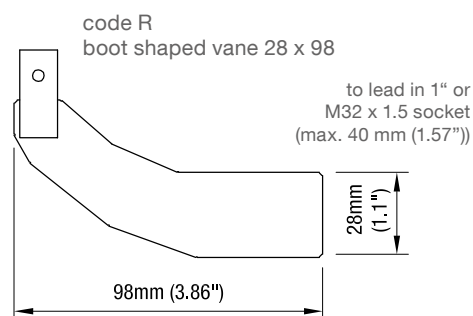
b=37 mm (1.46")  
 for 1½" / 1¼"  
 b=28 mm (1.1")  
 for 1" / M32 x 1.5



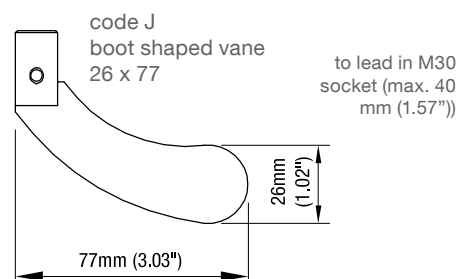
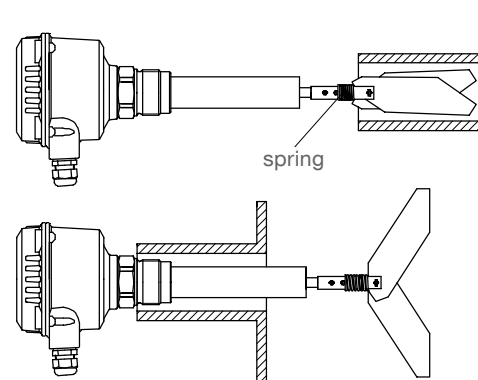
code S  
 hinged vane 98 x 100  
 single sided



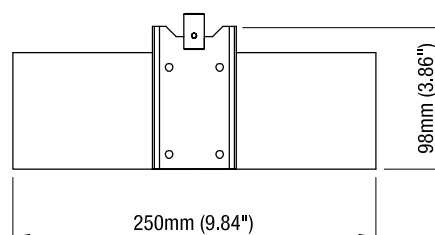
b=37 mm (1.46")  
 für 1½" / 1¼"  
 b=28 mm (1.1")  
 for 1" / M32 x 1.5



Insertion of the hinged vane  
 through a long socket



code M  
 rubber vane 98 x 250



## Technical Data

### Electrical data

<b>Connection terminals</b>	see page 23/ 24
<b>Cable entry</b>	M20 x 1.5 screwed cable gland NPT ½" conduit connection NPT ¾" conduit connection (only RN 6000)  Clamping range (diameter) of the factory provided cable glands: M20 x 1.5: 6 .. 12 mm (0.24 .. 0.47")
<b>Protection class</b>	I III (Version 24 V DC PNP)
<b>Overvoltage category</b>	II
<b>Pollution degree</b>	2 (inside housing)
<b>Power supply</b>	see page 23/ 24
<b>Installed load</b>	see page 23/ 24
<b>Signal and alarm output</b>	see page 23/ 24
<b>Isolation</b>	Power to signal and alarm output: 2,225 Vrms Signal output to signal output (DPDT): 2,225 Vrms
<b>Indicating light</b>	By built-in LED (apart from AC version)
<b>Heating of housing</b>	Implemented in versions Universal voltage and PNP. With temperatures below 0°C the motor dissipates power as well when it is stopped.

### Mechanical data

<b>Housing</b>	Aluminium housing, powdercoated, RAL 5010 gentian blue RN3000: optional plastic PA6 GF, RAL 5010 gentian blue Seal between housing and lid: NBR Seal between housing and process connection: NBR Nameplate: polyester film
<b>Degree of protection</b>	RN 3000: IP66*  RN 6000: IP66* Types with process connection and extension in stainless steel: IP66*, NEMA Type 4X (not for: RN 600x with process temperature ≥150°C (302°F), RN 6002 with sliding sleeve, RN 6003) * IEC/EN/NBR 60529
<b>Material process connection (options available)</b>	Thread: 1.4301 (304)/ 1.4305 (303) or 1.4404 (316L) or aluminium Triclamp: 1.4301 (304)/ 1.4305 (303) or 1.4404 (316L) Flange rectangle: 1.4301 (304) or aluminium Flange DN/ ANSI: 1.4541 (321) or 1.4404 (316L), DN32 also made of aluminium
<b>Material extension (options available)</b>	RN x001: 1.4301 (304)/ 1.4305 (303) or 1.4404 (316L) RN x002 pipe: 1.4301 (304)/ 1.4305 (303) or 1.4404 (316L) or aluminium RN x002 rope: 1.4305 (303)/ 1.4401 (316) RN x003: 1.4301 (304) or aluminium RN x004: 1.4301 (304)/ 1.4305 (303) or 1.4404 (316L) or aluminium RN 3005: 1.4305 (303) or 1.4404 (316L)
<b>Material vane shaft</b>	1.4301 (304)/ 1.4305 (303) or 1.4404 (316L)
<b>Material measuring vane incl. socket (options available)</b>	boot-shaped and rectangular vane: 1.4301 (304) or 1.4404 (316L) hinged vane 1.4301 (304)/ 1.4305 (303)/ 1.4310 (301) or 1.4404 (316L) rubber vane 1.4301 (304)/ rubber SBR
<b>Tolerance length "L"</b>	±10 mm (±0.39")
<b>Sealing</b>	Radial rotary shaft sealing Material: NBR (Acrylnitril-Butadien-rubber) FPM (Viton) PTFE (Teflon) Graphite based (version 350°C (662°F) and 600°C (1,112°F))

See also selection guide on page 5.

## Technical Data

<b>Bearing</b>	Ball bearing, dust-tight
<b>Friction clutch</b>	Protects the gear unit against impacts of the measuring vane
<b>Speed of measuring vane</b>	1 rotation or 5 rotations per minute
<b>Sound level</b>	max. 50 dBA

### Overall weight (ca.)

RN 3000	Version				Extension	
	80°C (176°F)		150/ 250/ 350/ 600°C (302/ 482/ 662/ 1,112°F)	1,100°C (2,012°F)		
	Aluminium *	Stainl. steel *			Aluminium	Stainl. steel *
RN 3001	1.2 kg (2.6 lbs)	1.5 kg (3.3 lbs)	+1.2 kg (+2.6 lbs)	+2.8 kg (+6.2 lbs)	-	-
RN 3002	1.3 kg (2.9 lbs)	1.6 kg (3.5 lbs)	+1.2 kg (+2.6 lbs)	+2.8 kg (+6.2 lbs)	+1.3 kg/m (+2.9 lbs per 39.3")	+2.7 kg/m (+5.9 lbs per 39.3")
RN 3002- rope	2.1 kg (4.6 lbs)	2.4 kg (5.3 lbs)	+1.2 kg (+2.6 lbs)		-	+0.25 kg/m (+0.6 lbs per 39.3")
RN 3003	3.7 kg** (8.1 lbs)	6.1 kg** (13.4 lbs)	+1.2 kg (+2.6 lbs)		+0.4 kg/ 100mm (+0.9 lbs per 3.93")	+0.6 kg/ 100 mm (+1.3 lbs per 3.93")
RN 3004	1.3 kg (2.9 lbs)	1.6 kg (3.5 lbs)	+1.2 kg (+2.6 lbs)		+0.15 kg/ 100 mm (+0.3 lbs per 3.93")	+0.3 kg/ 100 mm (+0.7 lbs per 3.93")
RN 3005	1.3 kg (2.9 lbs)	1.6 kg (3.5 lbs)				

\* Process connection

\*\* Version with flange 150x150x12mm (5.9x5.9x0.47"), L=250mm (9.84")

All weights are without flanges (except RN 3003) and smallest measuring vane.

RN 6000	Version				Extension	
	80°C (176°F)		150/ 250/ 350/ 600°C (302/ 482/ 662/ 1,112°F)	1,100°C (2,012°F)		
	Aluminium *	Stainl. steel *			Aluminium	Stainl. steel *
RN 6001	1.5 kg (3.3 lbs)	1.8 kg (4.0 lbs)	+12 kg (+2.6 lbs)	+2.8 kg (+6.2 lbs)	-	-
RN 6002	1.6 kg (3.5 lbs)	1.9 kg (4.2 lbs)	+1.2 kg (+2.6 lbs)	+2.8 kg (+6.2 lbs)	+1.3 kg/m (+2.9 lbs per 39.3")	+2.7 kg/m (+5.9 lbs per 39.3")
RN 6002- rope	2.4kg (5.3 lbs)	2.7 kg (5.9 lbs)	+1.2 kg (+2.6 lbs)		-	+0.25 kg/m (+0.6 lbs per 39.3")
RN 6003	4.0 kg** (8.8 lbs)	6.4 kg** (14.1 lbs)	+1.2 kg (+2.6 lbs)		+0.4 kg/ 100 mm (+0.9 lbs per 3.93")	+0.6 kg/ 100 mm (+1.3 lbs per 3.93")
RN 6004	1.6 kg (3.5 lbs)	1.9 kg (4.2 lbs)	+1.2 kg (+2.6 lbs)		+0.15 kg/ 100 mm (+0.3 lbs per 3.93")	+0.3 kg/ 100 mm (+0.7 lbs per 3.93")

All mentioned weights are with Standard-housing.

By use of de-housing: +1.4 kg (+3.1 lbs)  
 d-housing: +1.0 kg (+2.2 lbs)

\* Process connection

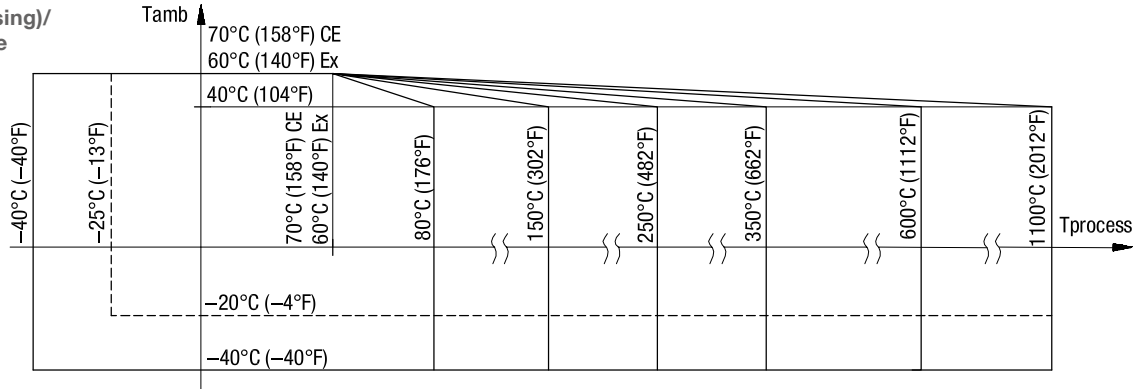
\*\* Version with flange 150 x 150 x 12 mm (5.9 x 5.9 x 0.47"), L=250 mm (9.84")

All weights are without flanges (except RN 6003) and smallest measuring vane.

## Technical Data

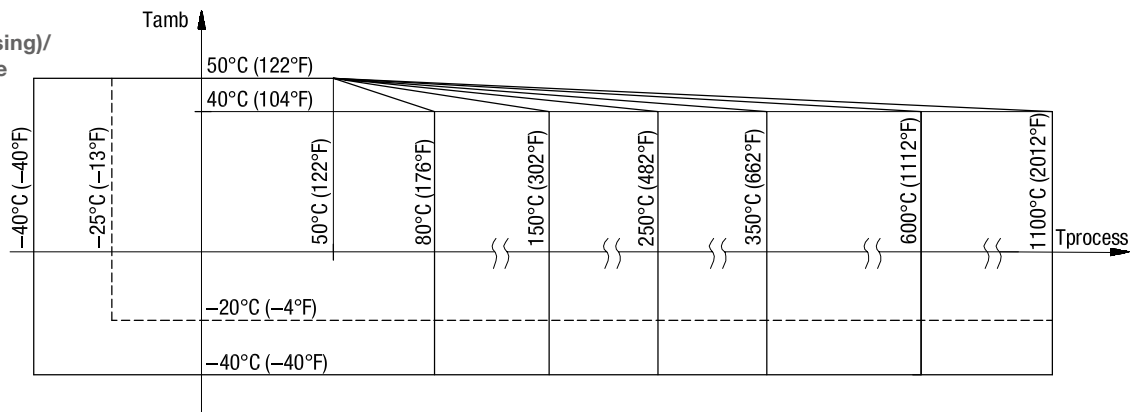
### Operating conditions

**RN 3000:**  
 Ambient temp. (housing)/  
 process temperature



-40°C (-40°F) ambient and process temperature for version with heating of housing (pos.26)  
 -40°C (-40°F) ambient temperature not for version with plastic housing in Ex Version  
 +350/ 600°C (+662/ 1,112°F) process temperature not for version RN 3003, not for Ex-approvals  
 +1,100°C (2,012°F) process temperature for version RN 3001, RN 3002, not for Ex-approvals  
 For versions with Ex-approvals: see remarks on page 31.

**RN 6000:**  
 Ambient temp. (housing)/  
 process temperature



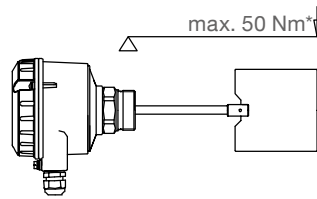
-40°C (-40°F) ambient and process temperature for version with heating of housing (pos.26)  
 +350/ 600°C (+662/ 1,112°F) process temperature not for version RN6003, not for Ex-approvals  
 +1,100°C (2,012°F) process temperature for version RN 6001, RN 6002, not for Ex-approvals  
 For versions with Ex-approvals: see remarks on page 31.

<b>Ventilation</b>	Ventilation is not required		
<b>Min. powder density/ sensitivity</b>	see section "Sensitivity" on page 28		
<b>Output signal delay</b>	Version	AC, DC	Universal voltage
	Sensor free -> covered*	ca. 1.3 sec	ca. 1.5 sec + 0 .. 20 sec adjustable
	Sensor covered -> free	ca. 0.2 sec	ca. 0.2 sec + 0 .. 60 sec adjustable
	*after blocking of the measuring vane		
<b>Features of bulk material</b>	Hardly any limitations.		

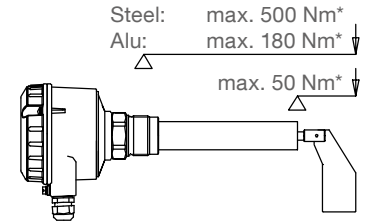
## Technische Daten

### Max. permitted mechanical torque

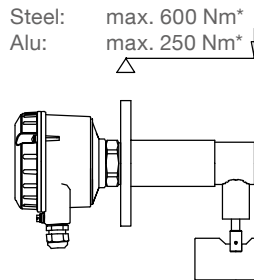
RN 3001/ 6001:



RN 3002/ 6002  
 RN 3004/ 6004:



RN 3003/ 6003:



\* at 40°C

For version with reinforced rib on request

Protective measures in case of high load: mounting of a protective canopy above the probe (horizontal installation) or fixing of the extension tube.

<b>Max. tractive force</b>	RN 3001/ 6001 pendulum shaft: RN 3002/ 6002-rope:	400 N (only applicabel as full detector) 4 kN (type standard)      28 kN (type reinforced)
<b>Max. process pressure</b>	-0.9 .. +0.8 bar (-13.1 .. 11.6 psi) or -0.9 .. +5 bar (-13.1 .. 73 psi) or -0.9 .. +10 bar (-13.1 .. 145 psi) -0.1 .. +0.1 bar (-1.5 .. 1.5 psi) for 600°C (1,112°F) and 1,100°C (2,012°F) version  For pressure over 0.8 bar (11.6 psi) the Teflon sealing is used. For versions with Ex-approvals: see remarks on page 30.	
<b>Vibration</b>	1.5 (m/s <sup>2</sup> )/ Hz according to EN 60068-2-64	
<b>Relative Humidity</b>	0 - 100%, suitable for outdoor use	
<b>Altitude</b>	max. 2,000 m (6,562 ft)	
<b>Expected product lifetime</b>	Following parameters have a negative influence on the expected product lifetime: High ambient- and process temperature, corrosive environment, high vibration, high flow rate of abrasive bulk material passing the sensor element, high amount of measurement cycles..	

## Transport and storage

**Transport**      Observe the instructions as stated on the transport packing, otherwise the products may get damaged.

Transport temperature: -40 .. +80°C (-40 .. +176°F)  
 Transport humidity: 20 .. 85%

Transport incoming inspections must be carried out to check for possible transport damage.

**Storage**      Products must be stored at a dry and clean place.  
 They must be protected from influence of corrosive enviroment, vibration and exposure to direct sunlight.

Storage temperature: -40 .. +80°C (-40 .. +176°F)  
 Storage humidity: 20 .. 85%

## Approvals

	RN 3000 RN 6000			
<b>General Purpose * (Ordinary Locations)</b>	• • • • • • • •	CE FM CSA TR-CU	EN 61010-1 (IEC/CB)	
<b>Hazardous Locations *</b>	• •	ATEX  IEC-Ex  FM  CSA  TR-CU  INMETRO	Dust explosion Gas explosion flameproof Gas explosion flameproof/ increased safety Dust explosion Gas explosion flameproof Gas explosion flameproof/ increased safety Dust explosion Gas explosion flameproof Gas explosion flameproof/ increased safety Dust explosion Gas explosion flameproof Gas explosion flameproof/ increased safety Dust explosion Gas explosion flameproof Gas explosion flameproof/ increased safety	ATEX II 1/2 D Ex ta/tb IIIC T! Da/Db ATEX II 2G Ex db IIC T! Gb ATEX II 2G Ex db eb IIC T! Gb IEC-Ex ta/tb IIIC T! Da/Db IEC-Ex db IIC T! Gb IEC-Ex db eb IIC T! Gb Cl. II, III Div. 1 Gr. E,F,G XP Cl. I Div. 1 Gr. B-D Cl. I Zone 1 AEx d IIC Cl. I Zone 1 AEx de IIC Cl. II, III Div. 1 Gr. E,F,G Ex DIP A20/21 XP Cl. I Div. 1 Gr. B-D Cl. I Zone 1 Ex d IIC Cl. I Zone 1 Ex de IIC Ex ta/tb IIIC T! Da/Db X Ex d IIC T! Gb X Ex de IIC T! Gb X Ex ta/tb IIIC T! Da/Db IP6X Ex d IIC T! Gb Ex de IIC T! Gb Detailed allocation of types and electronic modules to approvals: see selection list.
<b>Functional safety</b>	•	SIL 2 (IEC 61508) The Safety Manual RN6000 must be considered when using the units in safety systems.		
<b>EMC</b>	• •	EN 61326 - A1		
<b>Hygiene*</b>	• •	EHEDG		
<b>Food grade material</b>	• •	According to directive 1935/2004/EC		
<b>RoHS Conform</b>	• •	According to directive 2011/65/EU		

Pressure Equipment Directive  
(2014/68/EU)

The units are not subject to this directive, because they are classified as „pressure-keeping equipment“ and do not have a pressurized housing (see Art.1, clause 2.1.4).  
 The units are designed and manufactured in accordance to the Pressure Equipment Directive.



The unit is NOT intended for use as a "equipment part with safety function" (Art.1, clause 2.1.3).  
 If the units should be used as "equipment part with safety function", please contact the manufacturer.

\* Depending on selected version

## Options

### Weather protection cover

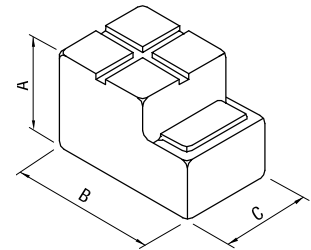
If the measuring device is used outdoors, the use of the weather protection cover is recommended. It protects the device from all atmospheric influences such as:

- rain water
- condensation water
- excessively high temperatures due to insolation
- excessively low temperatures in winter

Material: PE, weather and temperature stable



Not available for housing version d and de.  
 For use in Hazardous Locations: only permitted for zone 2 and 22 or Division 2.

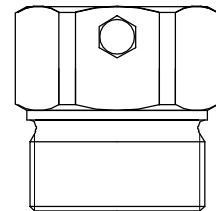


### Sliding sleeve

RN 3002/ 6002 Process connection and material as chosen

Version with selection code pos.30:  
 Only for applications without process pressure.  
 Max. 250°C (482°F). Not available for Ex-approvals.

Version with selection code pos.31: For applications with process pressure, max. 10bar (145psi), 250°C (482°F).  
 Sealing material to the extension tube: viton.



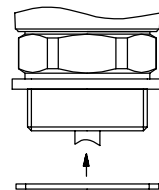
### Mounting set

Screws and washers for fixing the unit on a flange.

### Flat gasket

On the face sealing of the process connection thread.  
 Incl. sealing face for version with G 1½" thread.

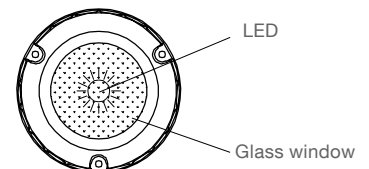
Max. 250°C (482°F)



### LED (Glass window in lid)

To see the indicating light on the electronic module from outside.

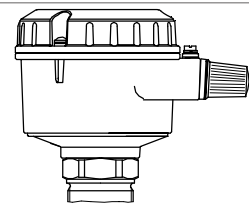
Not available for housing version d and de.



### Control lamp

Bright indicating light (LED) seen from outside.

Not available for use in Hazardous Locations.



### Plug

Used instead of cable gland.

Not available for use in Hazardous Locations and FM/ CSA general purpose.

Connection of the plug wires to the internal terminals of the unit must be done on site or according to customer demands.

#### Valve connector (incl. mating plug)

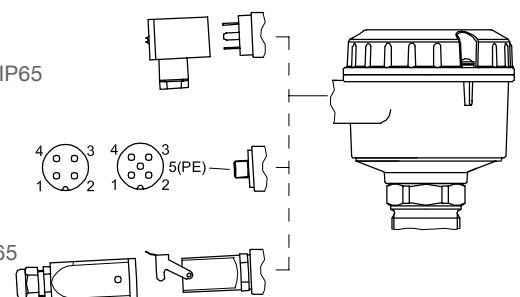
4-pole (incl. PE), max. 230 V, enclosure plastic, IP65

#### Plug M12 (without mating plug)

4-pole, max. 25 V or 5 -pole , max. 60 V  
 Enclosure brass, IP67

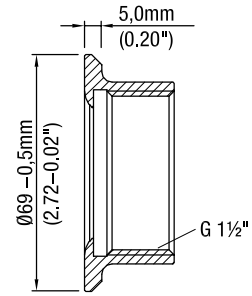
#### Plug Han 4A (incl. mating plug)

5-pole (incl. PE), max. 230 V, enclosure zinc, IP65



## Options / Mounting

**EHEDG approval** EHEDG conform design (material and construction in contact with the process).  
 Approved with flush welding socket  
 Material: aluminium or 1.4301 (304) or 1.4404 (316L)  
 (details see: mounting instructions EHEDG version, page 17).

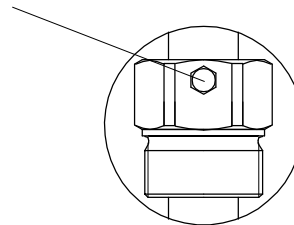


**Food grade material** Food grade material in contact with the process food (sealing and grease FDA conform). The option does not automatically implement a food conform design (food conform gaps, surface and radiuses).

## Mounting

### ! General Safety Instructions

<b>Process pressure</b>	Improper installation may result in loss of process pressure.
<b>Chemical resistance against the medium</b>	Materials of construction are chosen based on their chemical compatibility (or inertness) for general purposes. For exposure to specific environments, check with chemical compatibility charts before installing.
<b>Mechanical load</b>	The torque at the fastening spot must not exceed the specified ratings. See page 12 for details.
<b>Mounting location</b>	Keep away from incoming material and from silo walls. The installation has to be carried out, that the sensor elements cannot hit the wall of the silo. The flow of the medium and fixtures in the container must be considered. This is especially important for extension length of more than 3000 mm (118")
<b>Sliding sleeve</b>	Tighten both straining screws M8 with 20 Nm to obtain resistance against pressure



<b>Flange mounting</b>	A plastic seal must be used to tighten the flange.
<b>EHEDG-approval/ Food grade material</b>	The materials are available for the use under normal and predictable applications (according to directive 1935/2004 Art.3). Other conditions can influence the safety.

### ! Additional Safety Instructions for Hazardous Locations

<b>Installation regulations</b>	For devices to be used in Hazardous Locations the respective valid installation regulations must be observed.
<b>Sparks</b>	The installation has to be done in a way, that mechanical friction or impact does not cause sparks between the aluminium enclosure and steel.



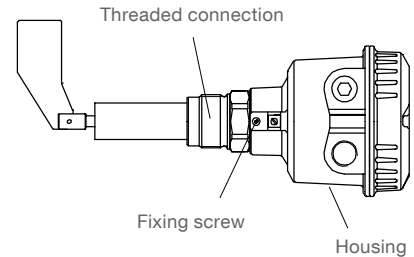
## Mounting

### Mounting instructions

#### Rotatable housing

The housing can be rotated against the threaded connection after mounting.

RN 6000: For the d- and de- housing:  
 Fixing screw must be unfastened to enable rotation. Fix the screw again, when the housing has the right position.



**Direction of the cable glands** When the unit is mounted from the side, ensure, that the cable glands face downwards and are closed to avoid water penetration into the housing.

**Sealing** Seal the process connection thread with teflon tape against process pressure. Alternative use of a flat gasket is possible (option pos. 15)

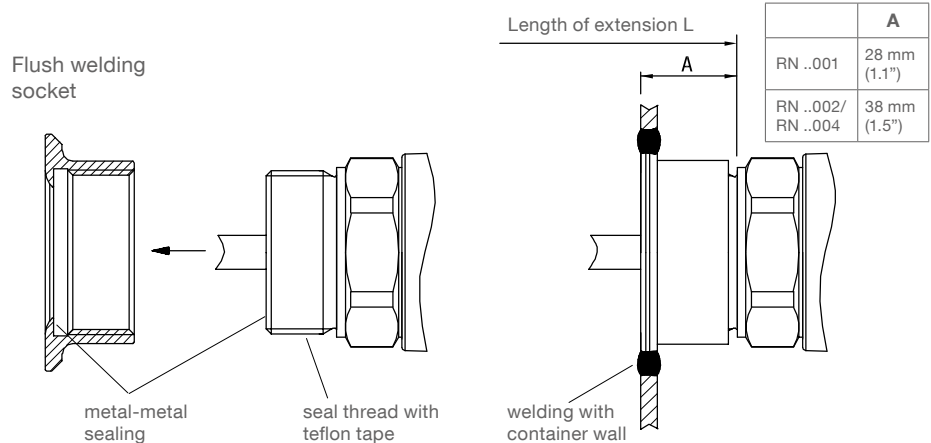
**Precaution for later dismantling/ Service**

- Use teflon tape to avoid seizing of aluminium process connection thread with the socket
- Grease the screws of the lid if corrosive atmosphere is present (e.g. close to sea)

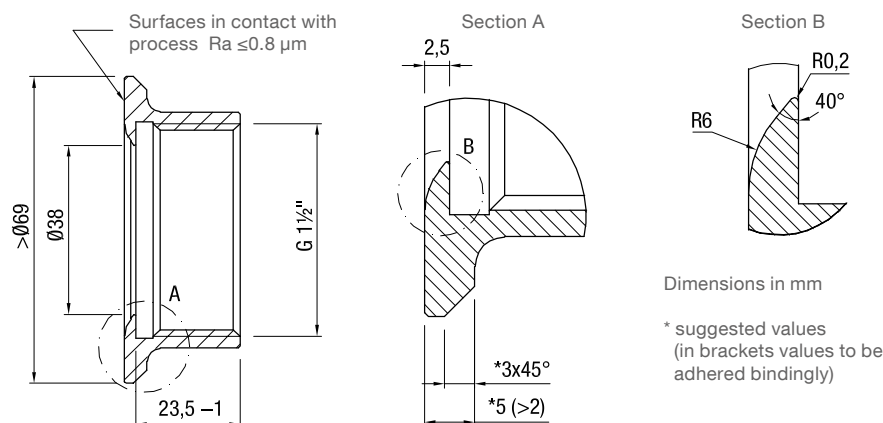
**EHEDG-Approval** Seal the thread with teflon tape against process pressure.  
 Metal-metal sealing:

- The support muß be plane and without any gap. No teflon tape (or similar) is allowed to be in between.
- Fixing torque 100 Nm

The quality of the welding with the container wall must be according to the respective regulations (e.g. gaps, transitions, surface finish).

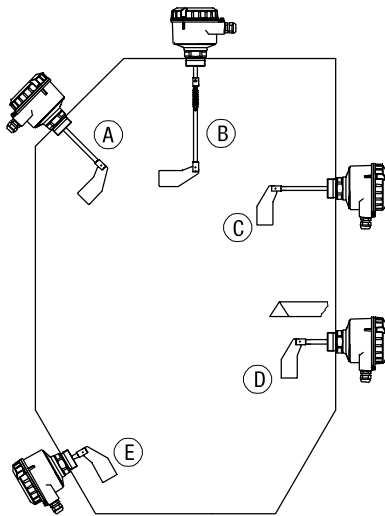


Dimension of flush welding socket (for optional on site manufacturing):



## Mounting

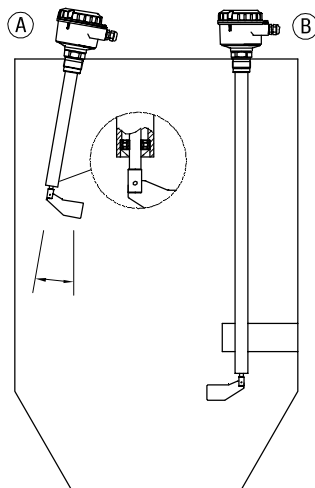
RN 3001  
 RN 6001



- A Full detector vertical and oblique from the top  
max. „L“=600 mm (23.62”)
- B With pendulum shaft or rope extension: Full detector vertical from the top. Observe max. pulling force.
- C Full detector horizontal  
max. „L“=300 mm (11.8”)
- D Demand or empty detector horizontal  
max. „L“=150 mm (5.9”)  
Protective angle recommended depending on load.
- E Empty detector oblique from the bottom  
max. „L“=150 mm (5.9”)  
Protective angle recommended depending on load.

Horizontal mounting: Boot shaped vane recommended (min. mech. load, because the vane aligns to the movement of the material).

RN 3002  
 RN 6002

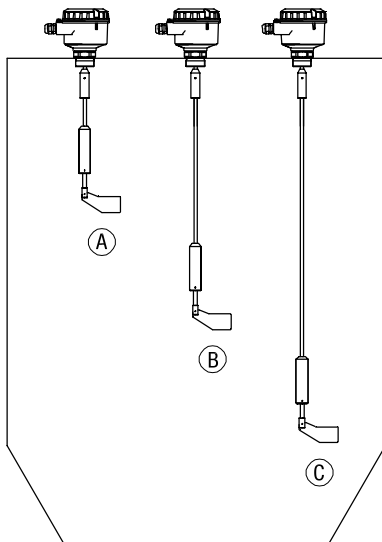


- A Full detector vertical from the top  
max. „L“=3,000 mm (118”)

Remark:  
 Deviation up to max. 10° from vertical installation with option „Bearing at tube end“ possible.

- B Full detector vertical from the top  
max. „L“=4,000 mm (158”)  
  
Support from side recommended.

RN 3002-Rope  
 RN 6002-Rope

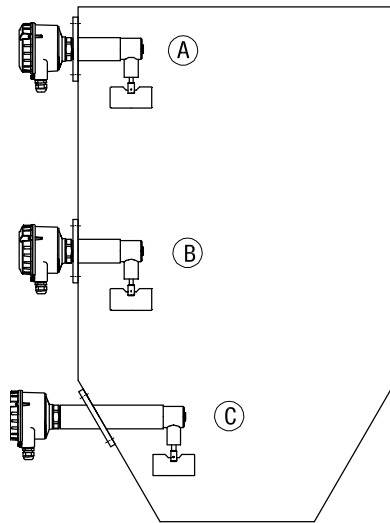


- A Full detector vertical
- B Demand detector vertical
- C Empty detector vertical

max. „L“=10,000 mm (394”)  
 Observe max. tractive force.

## Mounting

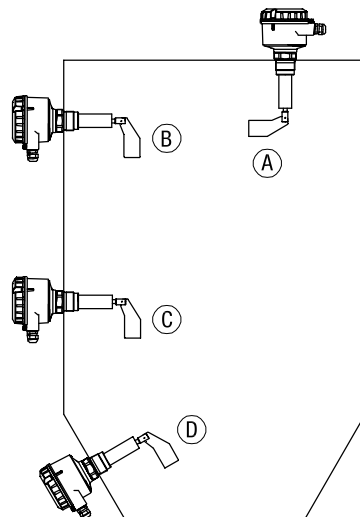
**RN 3003  
 RN 6003**



- A Full detector horizontal
- B Demand detector horizontal
- C Empty detector horizontal

Protective angle recommended depending on load.

**RN 3004  
 RN 6004**



- A Full detector vertical and oblique from the top
- B Full detector horizontal
- C Demand or empty detector horizontal  
 Protective angle recommended depending on load.
- D Empty detector oblique from the bottom  
 Protective angle recommended depending on load.

Horizontal mounting: Boot shaped vane recommended (min. mech. load, for the vane aligns to the movement of the material).

## Electrical installation

### ! General Safety Instructions

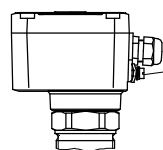
<b>Handling</b>	In the case of improper handling or handling malpractice, the electric safety of the device cannot be guaranteed.
<b>Installation regulations</b>	The local regulations or VDE 0100 (Regulations of German Electrotechnical Engineers) must be observed. With use of 24 V supply voltage, an approved power supply with reinforced insulation to mains is required.
<b>Fuse</b>	Use a fuse as stated in the connection diagrams (see pages 23 and 24).
<b>RCCB protection</b>	In the case of a fault, the supply voltage must be automatically switched off by a RCCB protection switch to protect against indirect contact with dangerous voltages.
<b>Power supply switch</b>	A voltage disconnection switch must be provided near the device.
<b>Wiring diagram</b>	The electrical connections are made in accordance with the wiring diagram.
<b>Supply voltage</b>	Compare the supply voltage applied with the specifications given on the electronic module and name plate before switching the device on.
<b>Cable gland</b>	The screwed cable gland and closing element must have following specifications: Ingress protection IP66, temperature range from -40°C to +70°C, UL or VDE or INMETRO certified (depending on the country where the unit is installed), pull relief. Make sure that the screwed cable gland safely seals the cable and that it is tight (danger of water intrusion). Cable glands that are not used have to be sealed with a blanking element. The diameter of the field wiring cable has to match to the clamping range of the used cable gland.
<b>Conduit system</b>	In case of using a conduit system (with NPT thread) instead of a cable gland the regulations of the country, where the unit is installed, must be observed. The conduit must have a tapered thread either NPT 1/2" or NPT 3/4" in accordance with the unit and ANSI B 1.20.1. Not used inlets must be closed tight with a metal blanking element.
<b>Field wiring cables</b>	<ul style="list-style-type: none"> <li>• The diameter has to match to the clamping range of the used cable gland.</li> <li>• The cross section has to match with the clamping range of the connection terminals and consider the max. current.</li> <li>• All field wirings must have insulation suitable for at least 250 V AC.</li> <li>• The temperature rating must be at least 90°C (194°F).</li> <li>• If higher immunity interferences as specified in the stated EMC standards are present (see chapter approval), a shielded cable is required, otherwise an unshielded instrumentation cable is satisfactory.</li> </ul>
<b>Guiding the cables in the terminal box</b>	Cut the field wiring cables to appropriate length to fit properly into the terminal box.
<b>Microswitch protection</b>	Provide protection for microswitch contacts to protect the device against inductive load surges.
<b>Protection against static charging</b>	The housing of the unit must be grounded to avoid static charging of the unit. This is particularly important for applications with pneumatic conveying and non-metallic containers.

### ! Additional Safety Instructions for Hazardous Locations

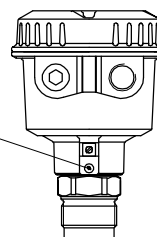
**External equipotential bonding terminal**

**RN 3000**

**RN 6000**



Connect to equipotential bonding of the plant



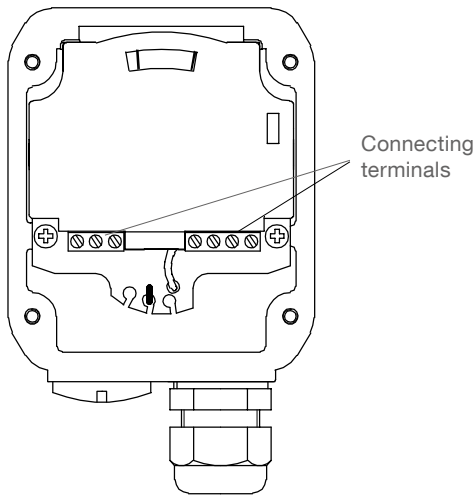
## Electrical installation

<b>Field wiring</b>	A strain relief must be provided for the field wiring cables, when the device is installed with the factory provided cable glands.				
<b>Field wiring terminals for "de" housing</b>	<table border="0"> <tr> <td>Fixing torque :</td> <td>0.5 - 0.6 Nm</td> </tr> <tr> <td>Remove wire isolation:</td> <td>9 mm</td> </tr> </table>	Fixing torque :	0.5 - 0.6 Nm	Remove wire isolation:	9 mm
Fixing torque :	0.5 - 0.6 Nm				
Remove wire isolation:	9 mm				
<b>Cable glands and conduit system for ATEX/ IEC-Ex INMETRO/ TR-CU</b> (Dust and Gas Hazardous Locations)	<p>Installation according to the regulations of the country, where the product is installed.</p> <p>Not used entries have to be closed with blanking elements certified for this purpose.</p> <p>Where available the factory provided parts must be used.</p> <p>A strain relief must be provided for the field wiring cables, when the device is installed with the factory provided cable glands.</p> <p>The diameter of the field wiring cable must match to the clamping range of the cable clamp.</p> <p>If other than the factory provided parts are used, following must be ensured:          The parts must have an approval adequate to the approval of the level sensor (certificate and type of protection).          The approved temperature range must be from the min. ambient temperature of the level sensor to the max. ambient temperature of the level sensor increased by 10 Kelvin.          The parts must be mounted according to the instructions of the supplier.</p> <p>Installation of a flameproof/ explosion proof enclosure with a conduit system:          In a conduit system single electric conductors are installed in a certified pipe system. This pipe system is in a flameproof/ explosion proof construction as well. The flameproof/ explosion proof enclosure and the pipe system needs to be sealed from each other by a certified flameproof seal of a type "d" or explosion proof of a type "XP". This seals shall be installed directly in or at the conduit entries of the flameproof/ explosion proof enclosure. Not used entries have to be closed with blanking elements certified for this purpose (flameproof type "d" or explosion proof type "XP").</p>				
<b>Conduit system for FM and CSA</b> (Dust and Gas Hazardous Locations)	<p>General requirements:          In addition the regulations of the country must be observed. The used flameproof seals and blanking elements must have an adequate type approval and a temperature range of at least -40°C (-40°F) to +80°C (176°F). In addition they shall be suitable for the conditions and correctly installed. Where available the provided original parts of the manufacturer must be used.</p> <p>Installation of a flameproof enclosure "d" with a conduit system:          In a conduit system single electric conductors are installed in a certified pipe system. This pipe system is in a flameproof construction as well. The flameproof enclosure "d" and the pipe system needs to be sealed from each other by a certified flameproof seal. Conduit entries of a flameproof enclosure "d" shall have installed the flameproof seal within 18 inches from the enclosure wall. Not used entries have to be closed with adequate blanking elements of a certified flameproof type AEx Cl.1 Div.1 A.</p>				
<b>Commissioning</b>	Commissioning only with closed lid.				
<b>Opening the lid</b>	<p><b>Units with Dust Explosion approval:</b>          Before opening the lid take care, that no dust deposits or whirlings are present.          Do not remove the lid (cover) while circuits are alive.</p> <p><b>RN 6000:</b></p> <p><b>Units with flameproof GasExplosion approval (d-housing):</b>          To prevent ignition of hazardous atmospheres, do not remove the lid (cover) while circuits are alive.</p>				

## Electrical installation

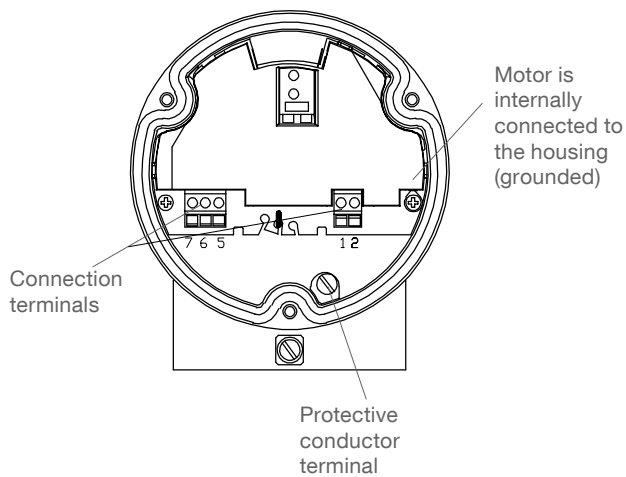
### Connection

#### RN 3000: Standard housing



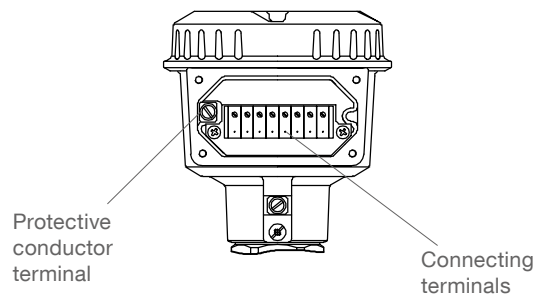
#### RN 6000: Standard and d-housing

Connection is done directly on the PCB



#### de-housing

Connection is done on the terminals inside the increased safety area.



## Electrical installation Series RN 3000

### Version:

- AC
- DC
- Universal voltage

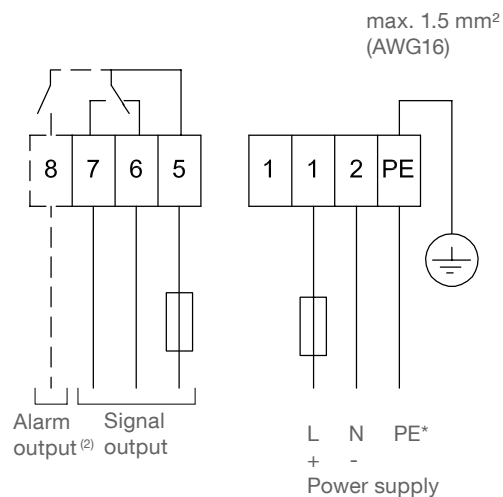
### Power supply:

- **AC version:**  
 24 V or 48V or 115 V or 230 V 50/ 60 Hz max. 4 VA  
 All voltages  $\pm 10\%$  <sup>(1)</sup>  
 Supply voltage as selected.  
 External fuse: max. 10 A, fast or slow, HBC, 250 V
- **DC version:**  
 24 V DC  $\pm 15\%$  <sup>(1)</sup> max. 2.5 W  
 External fuse: not required
- **Universal voltage:**  
 24 V DC  $\pm 15\%$  <sup>(1)</sup> max. 4 W  
 22 .. 230V 50/ 60 Hz  $\pm 10\%$  <sup>(1)</sup> max. 10 VA  
 External fuse: not required

<sup>(1)</sup> including  $\pm 10\%$  of EN 61010

### Signal and alarm output:

Micro switch or relay, SPDT contact  
 max. 250 V AC, 2 A, 500 VA ( $\cos\phi = 1$ )  
 max. 300 V DC, 2A, 60 W  
 External fuse: max. 10 A, fast or slow, HBC, 250 V



<sup>(2)</sup> With option Fail safe alarm (rotation control)  
 Contact open when de-energised

### Version:

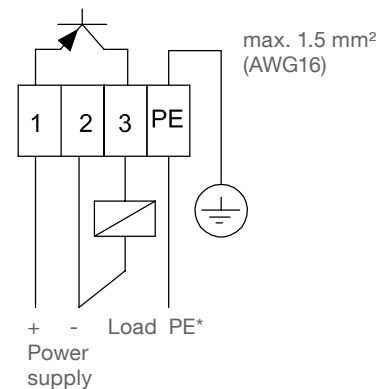
- PNP

### Power supply:

24 V DC  $\pm 15\%$  <sup>(1)</sup>  
<sup>(1)</sup> including  $\pm 10\%$  of EN 61010  
 Input current: max. 0.6 A

### Signal output:

Load max. 0.4 A  
 Output voltage equal to input voltage, drop <2.5 V  
 Open collector  
 Protected against short circuit and overload



### \* Protection against static charge:

The PE terminal of the unit must be grounded to avoid static charging of the unit.  
 This is particularly important for applications with pneumatic conveying.

## Electrical installation Series RN 6000

### Version:

- AC
- DC

### Power supply:

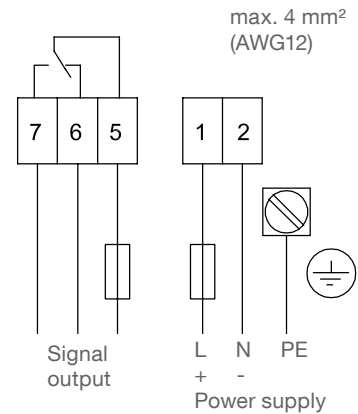
- **AC version:**  
 24 V or 48 V or 115 V or 230V 50/ 60 Hz max. 4 VA  
 All voltages  $\pm 10\%$  <sup>(1)</sup>  
 Supply voltage as selected.  
 External fuse: max. 10 A, fast or slow, HBC, 250 V

- **DC version:**  
 24 V DC  $\pm 15\%$  <sup>(1)</sup> max. 2.5 W  
 External fuse: not required

<sup>(1)</sup> including  $\pm 10\%$  of EN 61010

### Signal output:

Micro switch, SPDT contact  
 max. 250 V AC, 5 A, non inductive  
 max. 30 V DC, 4 A, non inductive  
 External fuse: max. 10 A, fast or slow, HBC, 250 V



### Version:

- Universal voltage  
 (without SIL 2)

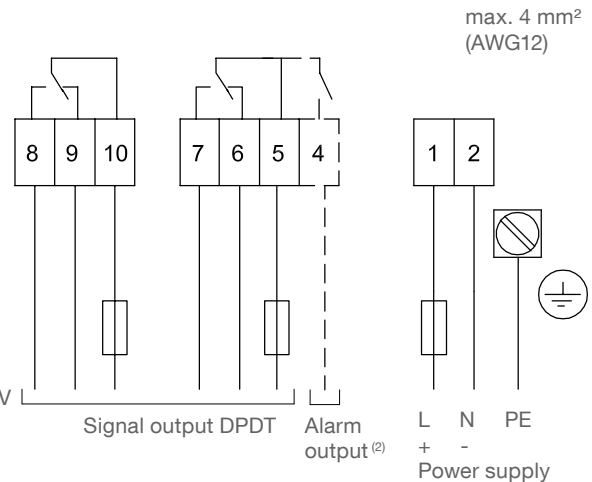
### Power supply:

24 V DC  $\pm 15\%$  <sup>(1)</sup> max. 4 W  
 22 .. 230 V 50/ 60 Hz  $\pm 10\%$  <sup>(1)</sup> max. 10 VA

<sup>(1)</sup> including  $\pm 10\%$  of EN 61010

### Signal and alarm output:

Relay DPDT contact  
 max. 250 V AC, 5 A, non inductive;  
 max. 30 V DC, 4 A, non inductive  
 External fuse: max. 10 A, fast or slow, HBC, 250 V



<sup>(2)</sup> With option Fail safe alarm (rotation control)  
 Contact open when de-energised

### Version:

- Universal voltage  
 SIL 2

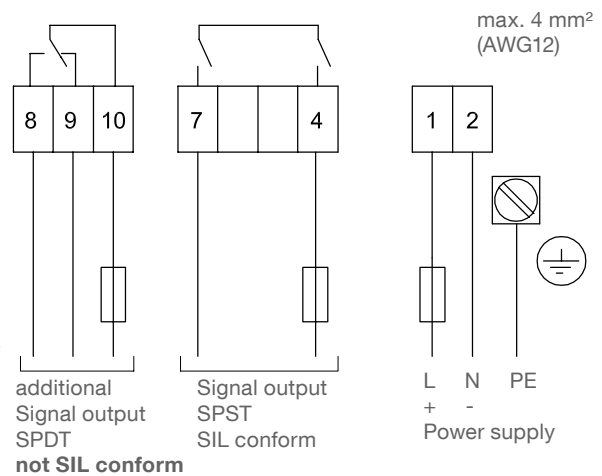
### Power supply:

24 V DC  $\pm 15\%$  <sup>(1)</sup> max. 4 W  
 22 .. 230 V 50/ 60 Hz  $\pm 10\%$  <sup>(1)</sup> max. 10 VA

<sup>(1)</sup> including  $\pm 10\%$  of EN 61010

### Signal output:

Relay SPST/ SPDT  
 max. 250 V AC, 5 A, non inductive;  
 max. 30 V DC, 4 A, non inductive  
 External fuse: max. 10 A, fast or slow, HBC, 250 V



**\* Protection against static charge:**  
 The PE terminal of the unit must be grounded to avoid static charging of the unit.  
 This is particularly important for applications with pneumatic conveying.



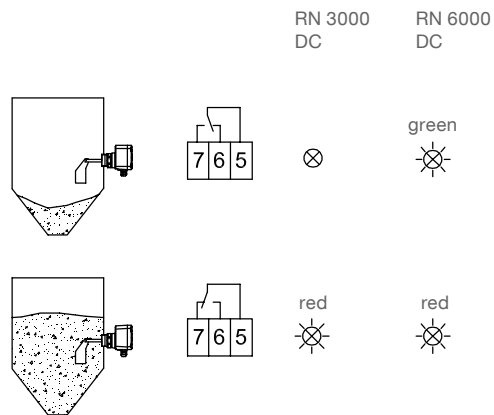
## Signal and alarm output

### Overview

Overview of signal and alarm output for the different electronic versions: see page 5

### Signal output: Switching logic

Version • RN 3000: AC, DC  
 • RN 6000: AC, DC



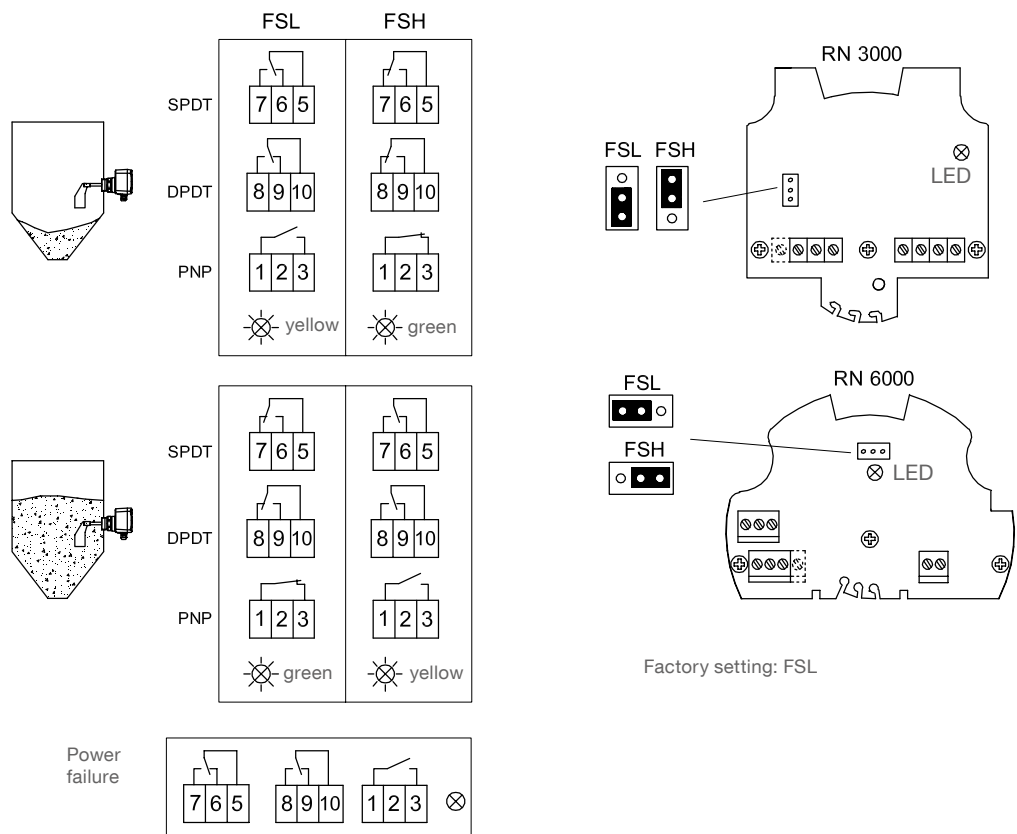
Version • RN 3000: Universal voltage, PNP  
 • RN 6000: Universal voltage (without SIL 2)

FSL: Use this setting when sensor is used as a full detector.

Power failure or line break is regarded as „full“ signal (protection against overflowing).

FSH: Use this setting when sensor is used as an empty detector.

Power failure or line break is regarded as „empty“ signal (protection against running dry).

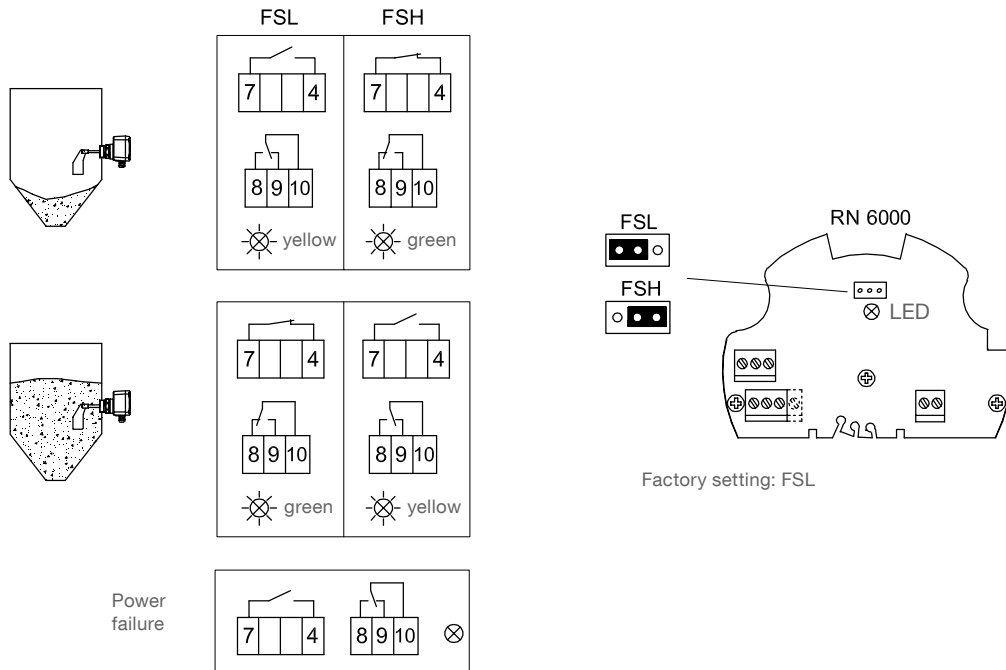


## Signal and alarm output

**Version** • **RN 6000: Universal voltage SIL 2**

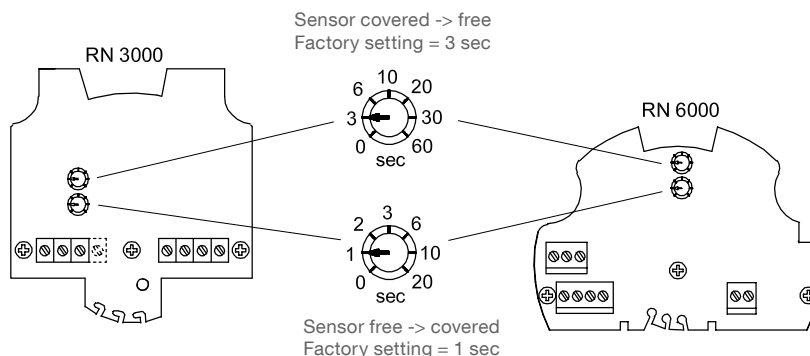
**FSH:** Use this setting when sensor is used as a full detector.  
 Power failure or line break is regarded as „full“ signal (protection against overfilling).

**FSL:** Use this setting when sensor is used as an empty detector.  
 Power failure or line break is regarded as „empty“ signal (protection against running dry).



## Signal and alarm output

### Signal output: Delay



### Alarm output (Fail safe alarm, Rotation control)

#### Switching and timing behaviour:

If the sensor is not covered, the rotating paddle shaft will send pulses at 20 sec intervals. In case of fault, the pulses are missed. After 30 sec the alarm relay will open.

#### RN 3000 Universal voltage

yellow or green  
(see page before)

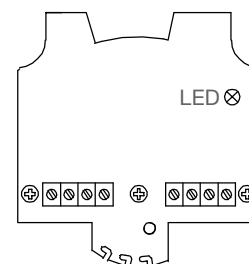
red



No fault



Fault



#### RN 6000 Universal voltage (without SIL 2)

yellow or green  
(see page before)

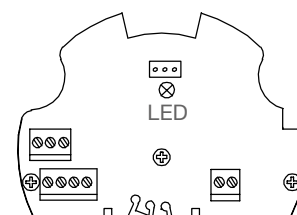
red



No fault



Fault



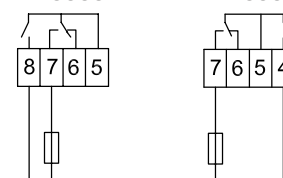
#### Connection example:

Full detector with maximum safety:  
The output signal opens in case of:

- full signal or
- failure of supply voltage or
- defect of the connection wires or
- defective unit

RN3000

RN6000



Signal output

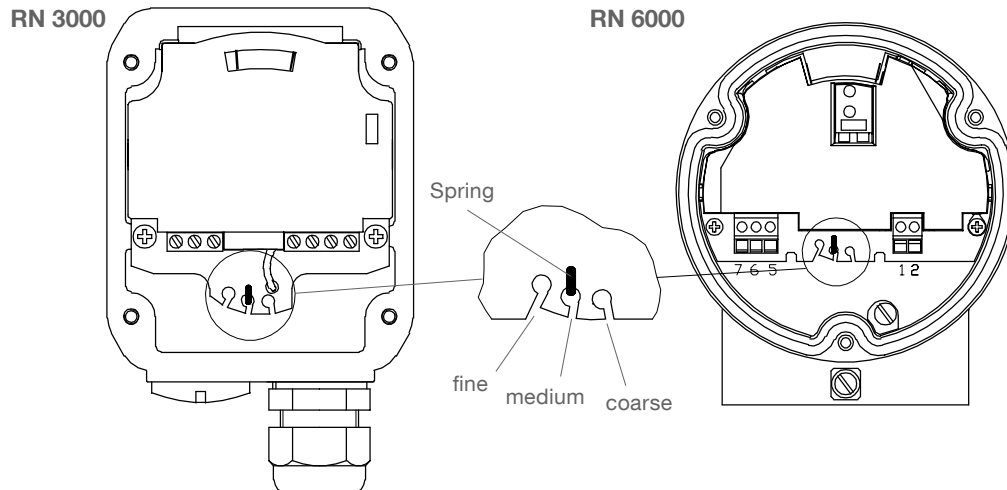
## Settings: Sensitivity

### Adjustment of the spring

The spring is adjustable in 3 positions. It should be changed only if necessary.

- „Fine“: for light material
- „Medium“: suitable for nearly every material (factory setting)
- „Coarse“: for very sticky material

The spring can be changed via a small plier.



### Sensitivity

The table shows approximate values for the minimum densities, at which a normal function should be possible.

Vane	*Minimum density in g/l = kg/m <sup>3</sup> (lb/ft <sup>3</sup> ) (without guarantee)			
	Vane completely covered with bulk material		Bulk material is 100 mm (3.93") above covered vane	
	Spring adjustment		Spring adjustment	
	fine	medium (factory setting)	fine	medium (factory setting)
Boot shaped vane 40 x 98	200 (12)	300 (18)	100 (60)	150 (9)
Boot shaped vane 35 x 106	200 (12)	300 (18)	100 (60)	150 (9)
Boot shaped vane 28 x 98	300 (18)	500 (30)	150 (9)	200 (12)
Boot shaped 26 x 77	350 (21)	560 (33)	200 (12)	250 (15)
Vane 50 x 98	300 (18)	500 (30)	150 (9)	250 (15)
Vane 50 x 150	80 (4.8)	120 (7.2)	40 (2.4)	60 (3.6)
Vane 50 x 250	30 (1.8)	50 (3)	15 (0.9)	25 (1.5)
Vane 98 x 98	100 (60)	150 (9)	50 (3)	75 (4.5)
Vane 98 x 150	30 (1.8)	50 (3)	15 (0.9)	25 (1.5)
Vane 98 x 250	20 (1.2)	30 (1.8)	15 (0.9)	15 (0.9)
Hinged vane 98 x 200 b=37 double sided	70 (4.2)	100 (60)	35 (2.16)	50 (3)
Hinged vane 98 x 200 b=28 double sided	100 (60)	150 (9)	50 (3)	75 (4.5)
Hinged vane 98 x 100 b=37 single sided	200 (12)	300 (18)	100 (60)	150 (9)
Hinged vane 98 x 100 b=28 single sided	300 (18)	500 (30)	150 (9)	250 (15)

The above mentioned data is a guideline and is for loose, non compacted material. During the filling the bulk density can change (e. g. for fluidised material).

\*For versions with option 26 (heating of housing) the above mentioned data must be multiplied by 1.5 (due to high friction on the shaft seal with low temperatures, a stronger spring is used).

## Maintenance

---

<b>Opening the lid (cover)</b>	<p>⚠ Before opening the lid for maintenance reasons observe following items:</p> <ul style="list-style-type: none"> <li>• Do not remove the lid while circuits are live.</li> <li>• No dust deposits or whirlings are present.</li> <li>• No rain can enter into the housing.</li> </ul>
<b>Frequent check of the unit</b>	<p>⚠ To ensure durable safety in hazardous locations and with electrical safety, following items must be checked frequently depending on the application:</p> <ul style="list-style-type: none"> <li>• Mechanical damage or corrosion of any components (housing side and sensor side) and of the field wiring cables.</li> <li>• Tight sealing of the process connection, cable glands and enclosure lid..</li> <li>• Properly connected external PE cable (if present).</li> </ul>
<b>Cleaning</b>	<p>⚠ If cleaning is required by the application, following must be observed:</p> <ul style="list-style-type: none"> <li>• Cleaning agent must comply with the materials of the unit (chemical resistance). Mainly the shaft sealing, lid sealing, cable gland and the surface of the unit must be considered.</li> </ul> <p>⚠ The cleaning process must be done in a way, that:</p> <ul style="list-style-type: none"> <li>• The cleaning agent cannot enter into the unit through the shaft sealing, lid sealing or cable gland.</li> <li>• No mechanical damage of the shaft sealing, lid sealing, cable gland or other parts can happen.</li> </ul> <p>Units with EHEDG certification, which are used in the respective EHEDG applications, must be cleaned dry only (Type ED). Furthermore the respective regulations must be observed.</p> <p>A possible accumulation of dust on the unit does not increase the maximum surface temperature and must therefore not be removed for purposes of maintaining the surface temperature in hazardous locations.</p>
<b>Function test</b>	<p>⚠ A frequent function test may be required depending on the application. Observe all relevant safety precautions related with a safe work depending on the application (e.g. hazardous locations, hazardous bulk material, electrical safety, process pressure).</p> <p>This test does not proof if the sensor is sensitive enough to measure the material of the application.</p> <p>⚠ Function test is done by stopping the rotating paddle with appropriate means and monitor if a correct change of the signal output from uncovered to covered happens.</p>
<b>Production date</b>	<p>The production date can be traced by the serial number on the typeplate. Please contact the manufacturer or your local distributor.</p>
<b>Spare parts</b>	<p>All available spare parts are stated in the selection list.</p>

## Repair of flamepath

Repair of flamepath on units with Ex d, Ex de or XP approvals is not intended.  
 Please contact manufacturer.

## Notes for use in Hazardous Locations

### Zone classification

	Useable in zone	ATEX Category	IEC-Ex/ INMETRO Equipment Protection Level (EPL)
Dust applications	20, 21, 22	1 D	Da
	21, 22	2 D	Db
	22	3 D *	Dc
Gas applications	0, 1, 2	1 G	Ga
	1, 2	2 G	Gb
	2	3 G	Gc

\*) in case of conductive dust additional requirements for the installation are necessary.

### General Notes

**Marking** Devices with Ex approval are marked on name plate.

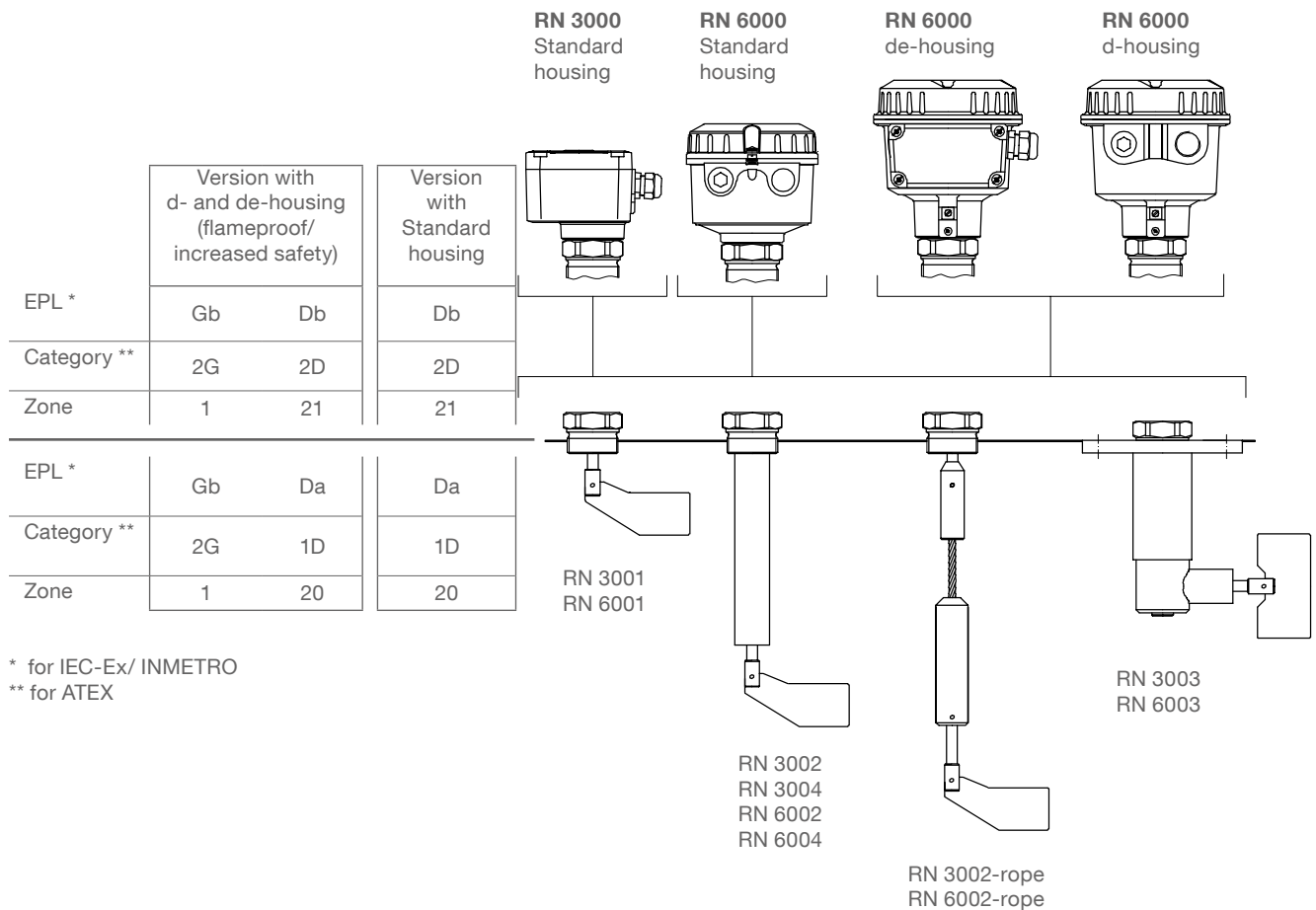
**Process pressure**

- ! Devices with Ex Approval are approved for atmospheric pressure. A detailed explanation is given below for ATEX and applies analogously for other Ex approvals:
- The scope of the ATEX directive is generally limited to atmospheric pressure, see ATEX directive 2014\_34\_EU Chapter 1 Art.2 (4). Atmospheric pressure is defined as absolute pressure 0.8bar to 1.1bar, see ATEX guideline §50 and IEC 60079-0 chapter 1 Scope. The technical background is that an explosive atmosphere which is compressed (overpressure) or released (underpressure) can exhibit different explosion behaviour than under atmospheric conditions. The standards for the types of protection against explosion (IEC 60079 series), on which a type approval according to the ATEX directive is based, are designed for atmospheric conditions and do not automatically cover deviating pressure conditions. Thus, an ATEX type approval issued in accordance with this directive only covers atmospheric pressure. This applies to all manufacturers. A deviating operating pressure can be assessed and approved by an expert for the respective application. Regardless of this, the design of the level indicators is suitable for a vessel overpressure / underpressure in accordance with the specified technical data.

**Process and ambient temperature** The permitted temperature ranges are marked on the name plate. The max. permitted ambient and process temperatures (including temperature derating) stated in this manual must be observed.

## Notes for use in Hazardous Locations

### Permitted zones for mounting in partition wall

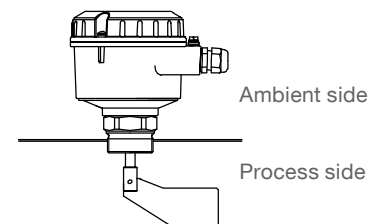


## Max. Surface Temperature and Temperature Code

The temperature marking on the name plate refers to the instruction manual. In the following tables the relevant temperature ratings are shown.

The maximum surface temperature (resp. temperature class) is the warmest temperature of the unit which could occur during malfunction (according to Ex-definition).

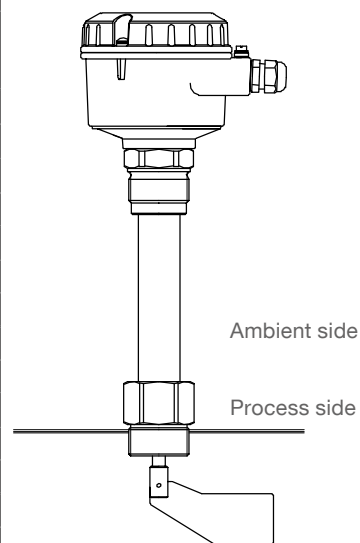
Enclosure directly mounted to the process connection				
Max. ambient temperature*	Max. process temperature	Max. surface temperature	Temperature class (Division system)	Temperature class (Zone system)
30°C (86°F)	50°C (122°F)	90°C (194°F) 120°C (248°F) <sup>(1)</sup>	T5 T4A <sup>(1)</sup>	T5 T4 <sup>(1)</sup>
40°C (104°F)	60°C (140°F)	100°C (212°F) 120°C (248°F) <sup>(1)</sup>	T5 T4A <sup>(1)</sup>	T4
50°C (122°F)	70°C (158°F)	110°C (230°F) 120°C (248°F) <sup>(1)</sup>	T4A	T4
RN 3000: 60°C (140°F) RN 6000: 50°C (122°F)	80°C (176°F)	120°C (248°F)	T4A	T4



\* Ambient temperature derating see page 12

## Notes for use in Hazardous Locations / Disposal

Enclosure mounted offset to the process connection				
Max. ambient temperature	Max. process temperature	Max. surface temperature	Temperature class (Division system)	Temperature class (Zone system)
RN 3000: 60°C (140°F) RN 6000: 50°C (122°F)	90°C (194°F)	120°C (248°F)	T4A	T4
	100°C (212°F)	120°C (248°F)	T4A	T4
	110°C (230°F)	120°C (248°F)	T4A	T4
	120°C (248°F)	120°C (248°F)	T4A	T4
	130°C (266°F)	130°C (266°F)	T4	T4
	140°C (284°F)	140°C (284°F)	T3C	T3
	150°C (302°F)	150°C (302°F)	T3C	T3
	160°C (320°F)	160°C (320°F)	T3C	T3
	170°C (338°F)	170°C (338°F)	T3A	T3
	180°C (356°F)	180°C (356°F)	T3A	T3
	190°C (374°F)	190°C (374°F)	T3	T3
	200°C (392°F)	200°C (392°F)	T3	T2
	210°C (410°F)	210°C (410°F)	T2D	T2
	220°C (428°F)	220°C (428°F)	T2C	T2
	230°C (446°F)	230°C (446°F)	T2C	T2
	240°C (464°F)	240°C (464°F)	T2B	T2
250°C (482°F)	250°C (482°F)	T2B	T2	



<sup>(1)</sup> With use of electronic "Universal voltage"

## Disposal

The product consists of materials which can be recycled, details of the used materials see chapter "Technical data - mechanical data". Recycling must be done by a specialised recycling company.